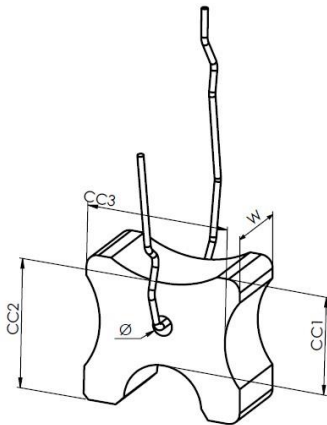


Fibre concrete spacer technical data sheet

Spacers are devices used to ensure the concrete cover between the reinforcement and the external surface of a reinforced concrete structure. They are positioned before casting and become an integral part of the structure. Good quality spacers ensure that a construction remains watertight and protected from other external corrosion.



Code: KD45-50-60

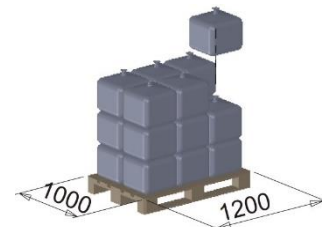
Single spacer at three heights

Single extruded spacer without wire

- Suitable for all types of armour
- 3 concrete covers according to the position

Compressive strength	>50N/mm ²
Water absorption	<3% dopo 30 min.
w/c factor	<0,4
Density	2,1 Kg/dm ³
Building material	class A1 – not flammable
Fire resistance class	F3 – F180
Exposure class	X0, XC, XD, XS, XF1, XF3, XA
Sulphate resistance	XA1 Standard
	XA2, XA3 Use HSR cement
Relevant national standard satisfied	BS7973-1 EN 1192-1-1 Eurocode 2 EN 1350-1:2002
Raw materials of the concrete mixture	
Cem I 52.5 N	Concrete sand
Calcium carbonate limestone	Chemical additives
PFA	Calcium Carbonate sand
Reinforcing	
Polypropylene fibres	Polyester yarns

dimension	value	tollerance
CC1	45 mm	+/-2mm
CC2	55 mm	+/-2mm
CC3	60 mm	+/-2mm
W	27 mm	+/-2mm
Ø	8 mm	+/-2mm
Weight x pc.	165 g.	+/-10%
Weight x pal.	900 Kg	+/-10%
Pcs x pallet	5.000	
Pcs x bag	125	
Bags x pallet	40	
Wire material	Steel zinc plated	
Wire lenght	300mm	
Wire diameter	1.2mm	



Note: The data contained in this document are derived from experimental laboratory measurements. Actual data may differ from what is published. This document is provided for demonstration purposes and without obligation and does not generate any contractual relationship and ancillary obligations. We assume no liability in case of incorrect application. The user remains responsible for verifying that the product complies with the purposes of the application.

Faserbeton UK Ltd	Tilcon Ave, Stafford ST18 0YJ	U.K.
Faserbeton Sp. z o.o.	Zamkowa 21, 26-260 Falków	Poland
Faserbeton s.r.l.	via Molino di Fratta 19, Tarzo	Italia

www.faserbeton.net